

# SAMUEL HEATH

**Product Number:** V6KA6XM9

**Description:** Exposed 1/2" thermostatic shower set - 2 volume controls



## Finishes Available



Chrome Plate



Polished Nickel



Non Lacquered Brass



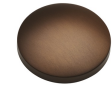
Antique Gold



Satin Nickel (US15)



City Bronze



Country Bronze



Brushed Gold Gloss



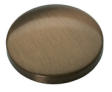
Brushed Gold Matt



Brushed Gold Unlacquered

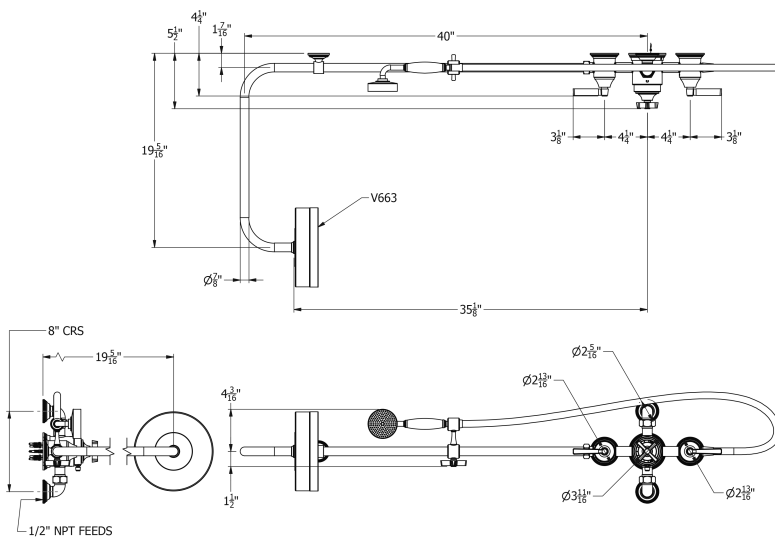


Antique Brass Matt



Antique Brass Gloss

## Specification Drawing



## Kit Components

Amber Brass



V641-TM



V654-A

V640-A



V663-A



V671-X



V941



V296



V621-TX



V623

### UK Customer Service

Leopold Street  
Birmingham  
B12 0UJ  
Tel: +44 121 766 4200  
Email: info@samuel-heath.com

### US Customer Service

Federal I.D. No. 58-1504682  
Email: usa@samuel-heath.com

### Specification Enquiries

Design Centre Chelsea Harbour  
1st Floor, North Dome, London  
SW10 0XE  
Tel: 020 7352 0249  
Email: showroom@samuel-heath.com

1-07/10/2024