

SAMUEL HEATH

Product Number: V6KA6XCCR9

Description: Exposed 1/2" thermostatic shower set - 2 volume controls



Finishes Available



Chrome Plate



Polished Nickel



Non Lacquered Brass



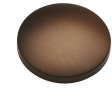
Antique Gold



Satin Nickel (US15)



City Bronze



Country Bronze



Brushed Gold Gloss



Brushed Gold Matt



Brushed Gold Unlacquered

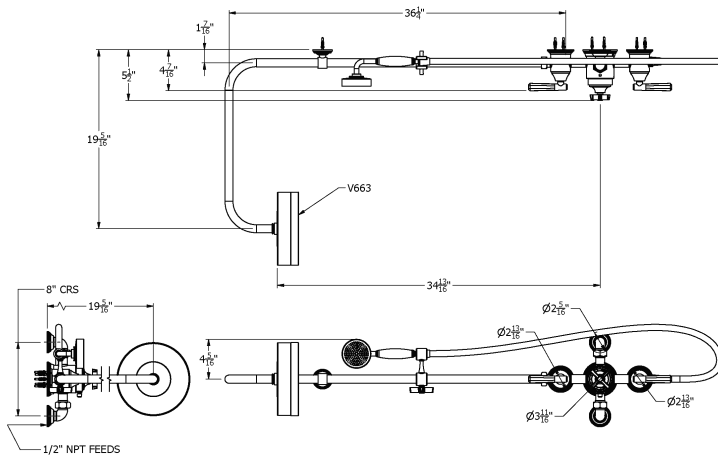


Antique Brass Matt



Antique Brass Gloss

Specification Drawing



Kit Components

Amber Brass



V640-A

V641-TCCR



V654-A



V663-A



V671-X



V941



V296



V621-TX



V623

UK Customer Service

Leopold Street
Birmingham
B12 0UJ
Tel: +44 121 766 4200
Email: info@samuel-heath.com

US Customer Service

Federal I.D. No. 58-1504682
Email: usa@samuel-heath.com

Specification Enquiries

Design Centre Chelsea Harbour
1st Floor, North Dome, London
SW10 0XE
Tel: 020 7352 0249
Email: showroom@samuel-heath.com

1-07/10/2024