

# SAMUEL HEATH

**Product Number:** V607-AIS

**Description:** 3/4" Concealed volume control - rough



## Standards



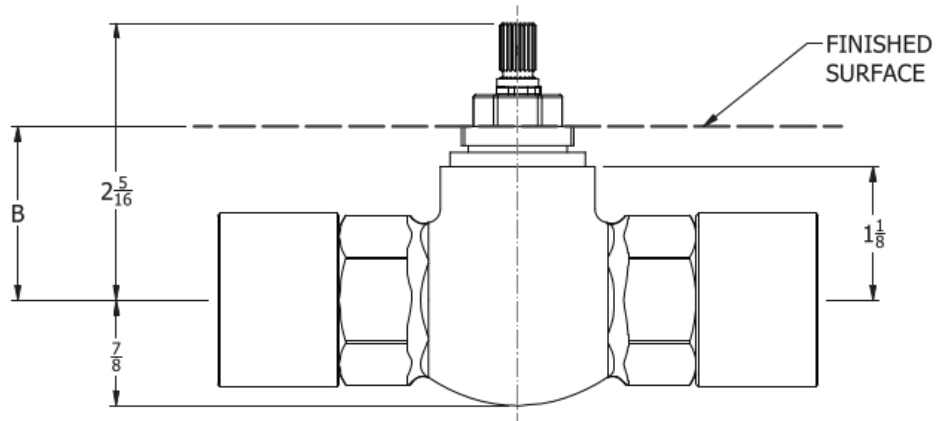
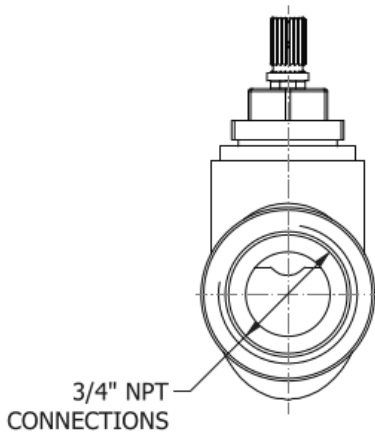
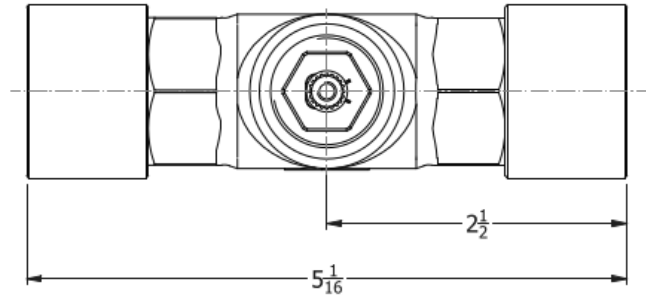
## Flow rates

Gallons/Min	1.5 PSI	7.3 PSI	14.5 PSI	29.0 PSI	43.5 PSI	58.0 PSI	72.5 PSI
1/2" Feed							
3/4" Feed		1.6	5.9	7.7	9.0	10.1	10.8

Flow rate data provided is indicative of each product and is given in open outlet conditions. Installation design, external connections and fittings not supplied may affect the data provided.

## Specification Drawing

TRIM	DIMENSION B RANGE
V107-T2	1 3/8" TO 2 9/16"
V207-T2	1 1/4" TO 2 1/16"
V607-T	1 1/2" TO 2"
V707-T	2 3/8" TO 2 3/4"
V807-T	2" TO 2 1/4"
T1007-T	2 3/8" TO 2 3/4"
T2007-T	2 3/8" TO 2 7/8"



**B = INSTALLATION DEPTH, SEE V607-AIS DATA SHEET**

### UK Customer Service

Leopold Street  
Birmingham  
B12 0UJ  
Tel: +44 121 766 4200  
Email: info@samuel-heath.com

### US Customer Service

Federal I.D. No. 58-1504682  
Email: usa@samuel-heath.com

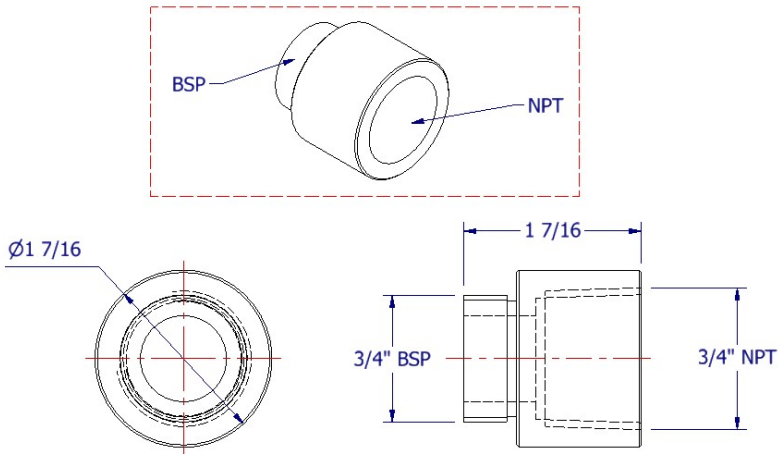
### Specification Enquiries

Design Centre Chelsea Harbour  
1st Floor, North Dome, London  
SW10 0XE  
Tel: 020 7352 0249  
Email: showroom@samuel-heath.com

SAMUEL HEATH

# Adaptor

## Important Information



- The adaptor Installation must be carried out by a qualified plumber.
- A suitable sealant tape or sealant must be used on both the NPT and BSP threaded joints.
- Do not over tighten the NPT threaded joint.
- Do not braze, weld, or solder the connections to this adaptor.
- For further warranty information, please see the Care Leaflet provided with the product.
- Ensure the adaptor is fitted the correct way around.
- Do not use lead based acidic curing adhesive or mastic
- The use of Blue RTV silicone during installation will void the product warranty
- Use only non-silicone caulking adhesive or plumbers' putty for installation

SAMUEL HEATH  
Head Office and Customer Service  
Leopold Street  
Birmingham  
England  
B12 0UJ

T: +44 (0)121 766 4200  
F: +44 (0)121 772 3334

Info@samuel-heath.com  
www.samuel-heath.co.uk

US Customer Service  
usa@samuel-heath.com  
Federal I.D. No. 58-1504682  
www.samuel-heath.com

8-40661 Iss.A