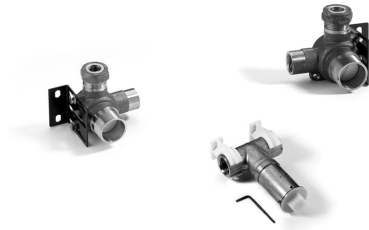


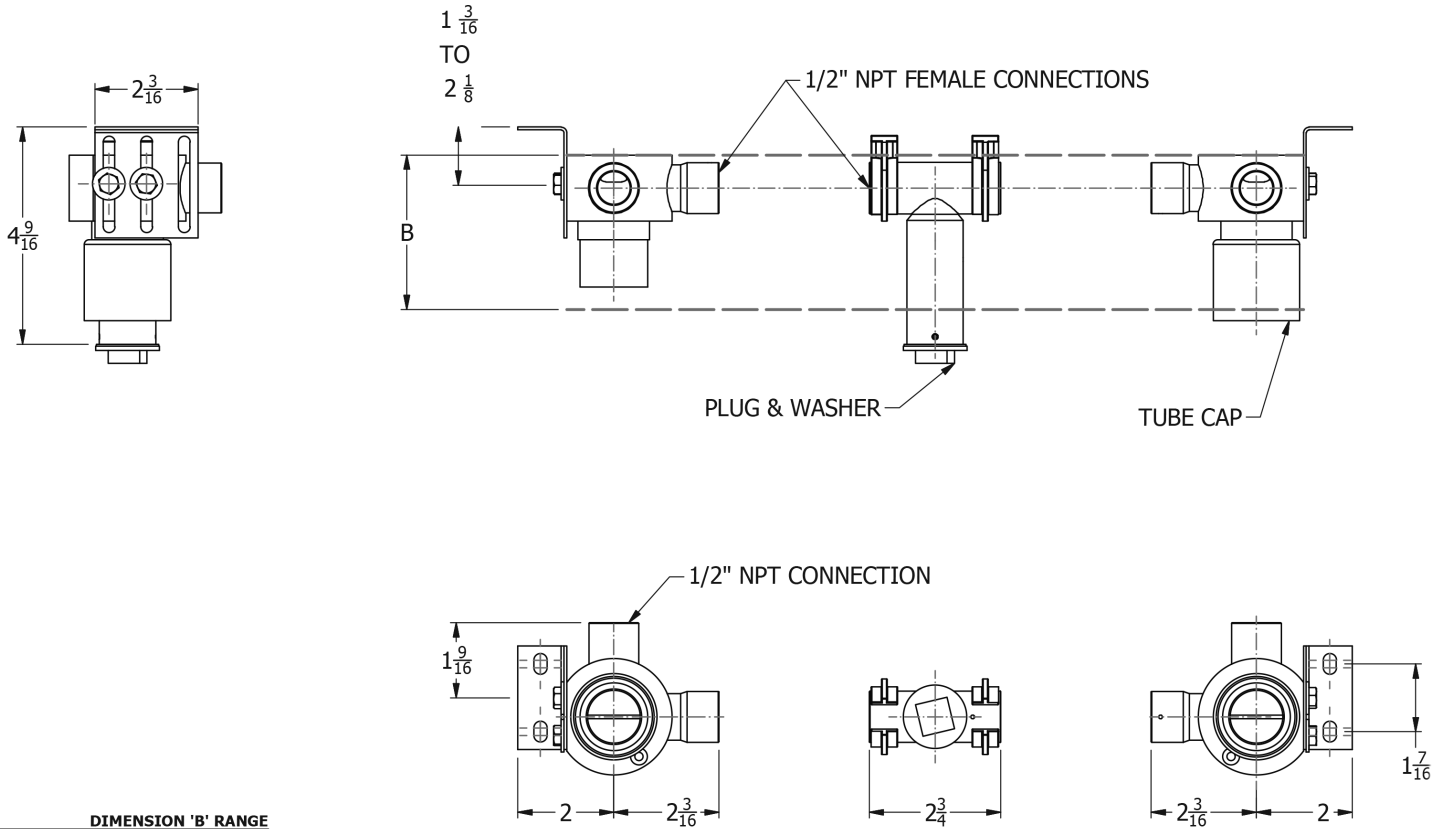
SAMUEL HEATH

Product Number: V218-AIS

Description: 3 Hole wall mounted filler - rough



Specification Drawing



TRIM	DIMENSION 'B' RANGE
V117	2 ⁹ / ₁₆ " TO 3 ⁷ / ₁₆ "
V147	2 ¹ / ₄ " TO 3 ¹ / ₈ "
V120	2 ⁵ / ₈ " TO 3 ⁵ / ₈ "
V217 & V247	2 ¹ / ₂ " TO 2 ¹⁵ / ₁₆ "
V617	2 ⁷ / ₁₆ " TO 2 ³ / ₄ "
V647	2 ⁷ / ₁₆ " TO 2 ¹⁵ / ₁₆ "
V817 & V847	2 ¹ / ₂ " TO 3 ¹ / ₈ "

UK Customer Service
 Leopold Street
 Birmingham
 B12 0UJ
 Tel: +44 121 766 4200
 Email: info@samuel-heath.com

US Customer Service
 Federal I.D. No. 58-1504682
 Email: usa@samuel-heath.com

Specification Enquiries
 Design Centre Chelsea Harbour
 1st Floor, North Dome, London
 SW10 0XE
 Tel: 020 7352 0249
 Email: showroom@samuel-heath.com