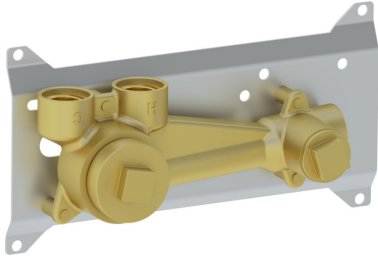


# SAMUEL HEATH

**Product Number:** T2020-AIS

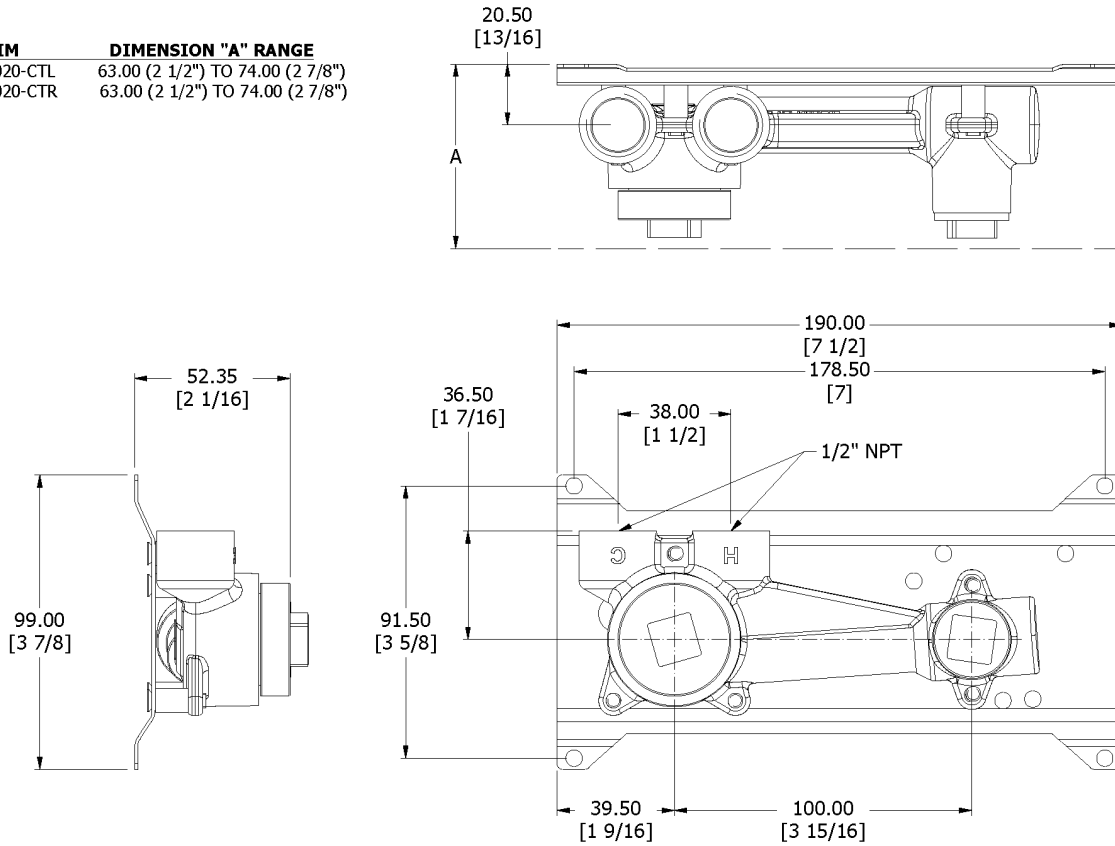
**Description:** 2 Hole wall mounted filler rough, left handed

## Standards



## Specification Drawing

TRIM	DIMENSION "A" RANGE
T2020-CTL	63.00 (2 1/2") TO 74.00 (2 7/8")
T2020-CTR	63.00 (2 1/2") TO 74.00 (2 7/8")



**UK Customer Service**  
 Leopold Street  
 Birmingham  
 B12 0UJ  
 Tel: +44 121 766 4200  
 Email: info@samuel-heath.com

**US Customer Service**  
 Federal I.D. No. 58-1504682  
 Email: usa@samuel-heath.com

**Specification Enquiries**  
 Design Centre Chelsea Harbour  
 1st Floor, North Dome, London  
 SW10 0XE  
 Tel: 020 7352 0249  
 Email: showroom@samuel-heath.com