

SAMUEL HEATH

Product Number: V7K39-1LK

Description: 3 Hole bath mixer, 150mm spout length

Standards



Flow rates

Litres/Min	0.1 Bar	0.5 Bar	1.0 Bar	2.0 Bar	3.0 Bar	4.0 Bar	5.0 Bar
				26.3	31.0	35.5	39.5

Flow rate data provided is indicative of each product and is given in open outlet conditions. Installation design, external connections and fittings not supplied may affect the data provided.



Finishes Available



Control Options Available

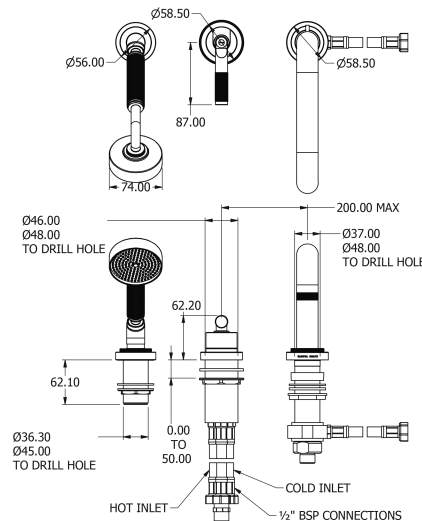
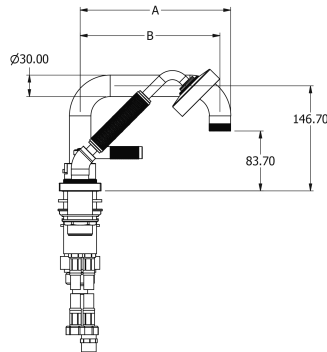


Specification Drawing

SPOUT LENGTHS:

V7K39-1: A = 165mm 6 1/2"
B = 150mm 5 7/8"

V7K39-2: A = 211mm 8 5/16"
B = 196mm 7 11/16"



UK Customer Service

Leopold Street
Birmingham
B12 0UJ
Tel: +44 121 766 4200
Email: info@samuel-heath.com

US Customer Service

Federal I.D. No. 58-1504682
Email: usa@samuel-heath.com

Specification Enquiries

Design Centre Chelsea Harbour
1st Floor, North Dome, London
SW10 0XE
Tel: 020 7352 0249
Email: showroom@samuel-heath.com