

# SAMUEL HEATH

**Product Number:** V7K20-2LK-RH

**Description:** 2 Hole wall mounted basin mixer, right handed, 184mm spout length



## Standards



## Flow rates

Litres/Min	0.1 Bar	0.5 Bar	1.0 Bar	2.0 Bar	3.0 Bar	4.0 Bar	5.0 Bar
		2.5	3.6	5.1	6.5	7.5	8.6

Flow rate data provided is indicative of each product and is given in open outlet conditions. Installation design, external connections and fittings not supplied may affect the data provided.

## Finishes Available



Chrome Plate



Polished Nickel



Stainless Steel Finish



Stainless Steel with Matt Black



Urban Brass



City Bronze



Matt Black Chrome



Country Bronze



Urban Brass Matt Lacquered



Antique Brass Matt



Antique Brass Gloss



Amber Brass

## Control Options Available



## Specification Drawing

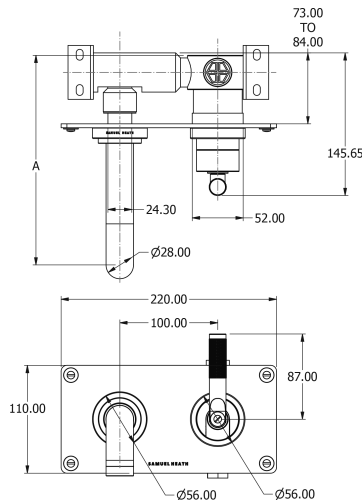
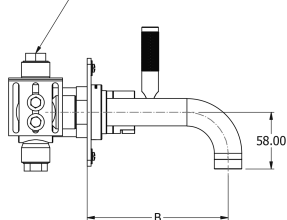
### SPOUT LENGTHS

V7K20-1: A = 217mm to 228mm  
B = 144mm

V7K20-2: A = 257mm to 268mm  
B = 184mm

V7K20-3: A = 287mm to 298mm  
B = 214mm

SEE INSTALLATION KIT DRAWING  
UK & EUR - V720 - IS - XX  
US - V720 - AIS - XX



### UK Customer Service

Leopold Street  
Birmingham  
B12 0UJ  
Tel: +44 121 766 4200  
Email: info@samuel-heath.com

### US Customer Service

Federal I.D. No. 58-1504682  
Email: usa@samuel-heath.com

### Specification Enquiries

Design Centre Chelsea Harbour  
1st Floor, North Dome, London  
SW10 0XE  
Tel: 020 7352 0249  
Email: showroom@samuel-heath.com