

# SAMUEL HEATH

**Product Number:** V7B1XLK9

**Description:** 1/2" Concealed thermostatic shower - 2 flow controls



## Finishes Available



Chrome Plate



Polished Nickel



Stainless Steel Finish



Stainless Steel with Matt Black



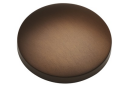
Urban Brass



City Bronze



Matt Black Chrome



Country Bronze



Urban Brass Matt Lacquered



Antique Brass Matt

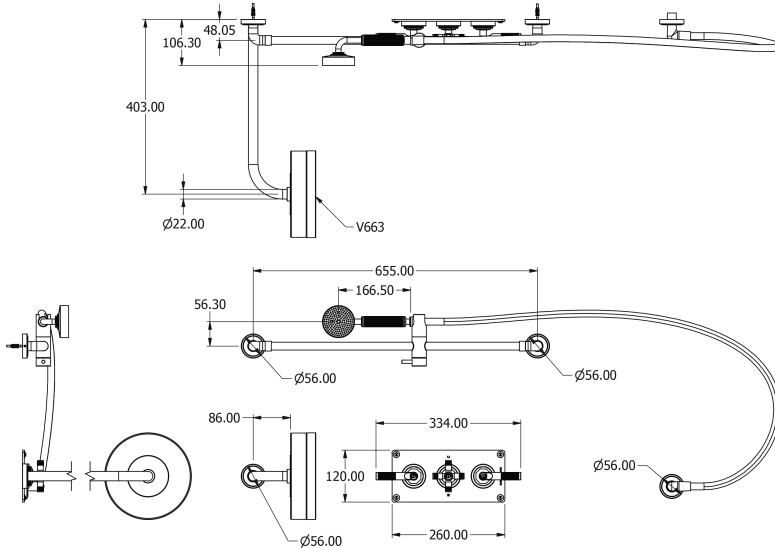


Antique Brass Gloss



Amber Brass

## Specification Drawing



## Kit Components



V702-TLF



V663



V754-K



V762



V764



V770



V941

### UK Customer Service

Leopold Street  
Birmingham  
B12 0UJ  
Tel: +44 121 766 4200  
Email: info@samuel-heath.com

### US Customer Service

Federal I.D. No. 58-1504682  
Email: usa@samuel-heath.com

### Specification Enquiries

Design Centre Chelsea Harbour  
1st Floor, North Dome, London  
SW10 0XE  
Tel: 020 7352 0249  
Email: showroom@samuel-heath.com