

SAMUEL HEATH

Product Number: V7B1XLF9

Description: 1/2" Concealed thermostatic shower - 2 flow controls



Finishes Available



Chrome Plate



Polished Nickel



Stainless Steel Finish



Stainless Steel with Matt Black



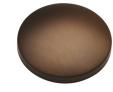
Urban Brass



City Bronze



Matt Black Chrome



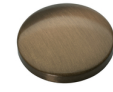
Country Bronze



Urban Brass Matt Lacquered



Antique Brass Matt

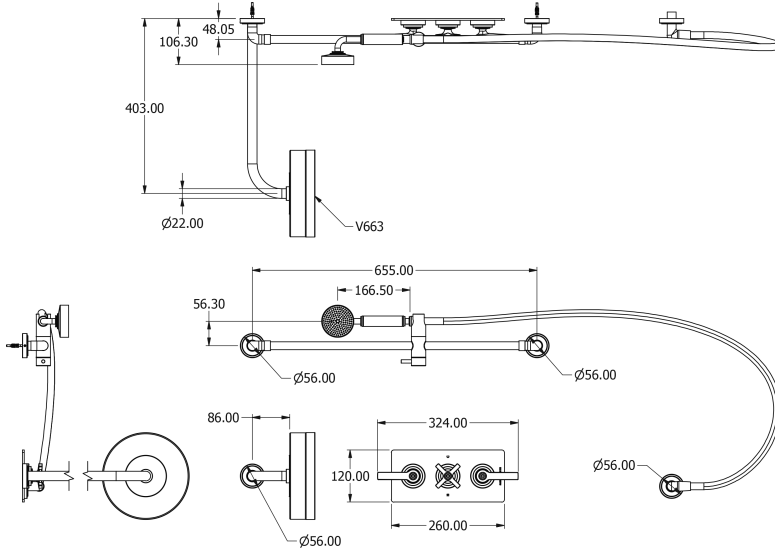


Antique Brass Gloss



Amber Brass

Specification Drawing



Kit Components



V702-TLF



V663



V754-F



V762



V764



V770



V941

UK Customer Service

Leopold Street
Birmingham
B12 0UJ
Tel: +44 121 766 4200
Email: info@samuel-heath.com

US Customer Service

Federal I.D. No. 58-1504682
Email: usa@samuel-heath.com

Specification Enquiries

Design Centre Chelsea Harbour
1st Floor, North Dome, London
SW10 0XE
Tel: 020 7352 0249
Email: showroom@samuel-heath.com