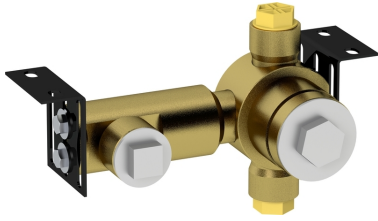


SAMUEL HEATH

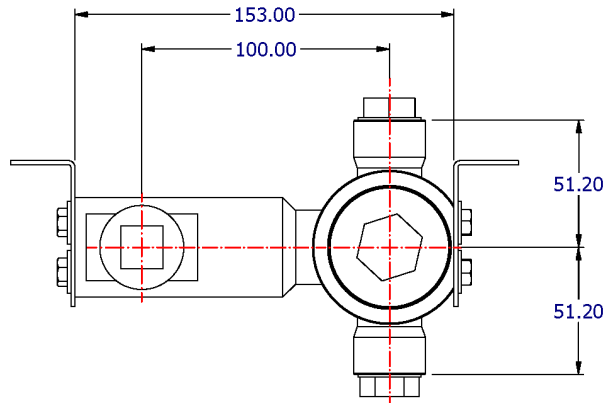
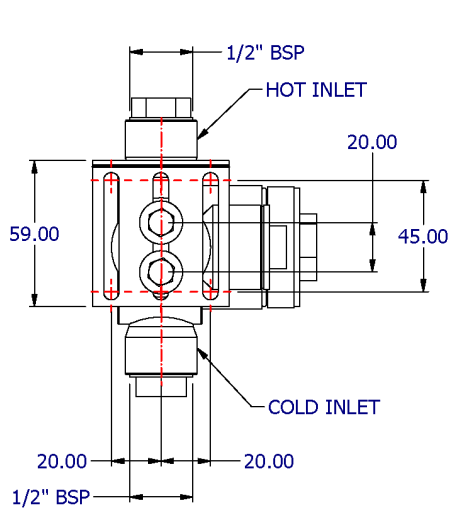
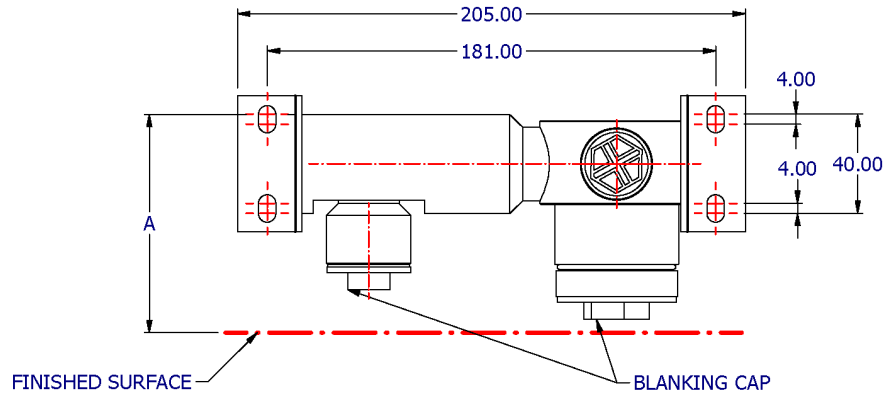
Product Number: V720V2-RH-IS

Description: 2 Hole wall mounted filler rough, right handed



Specification Drawing

TRIM	DIMENSION "A" RANGE
V720V2-T	73.00 TO 84.00
V735V2-T	73.00 TO 84.00



UK Customer Service
Leopold Street
Birmingham
B12 0UJ
Tel: +44 121 766 4200
Email: info@samuel-heath.com

US Customer Service
Federal I.D. No. 58-1504682
Email: usa@samuel-heath.com

Specification Enquiries
Design Centre Chelsea Harbour
1st Floor, North Dome, London
SW10 0XE
Tel: 020 7352 0249
Email: showroom@samuel-heath.com

1-07/10/2024