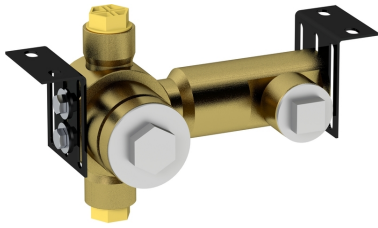


SAMUEL HEATH

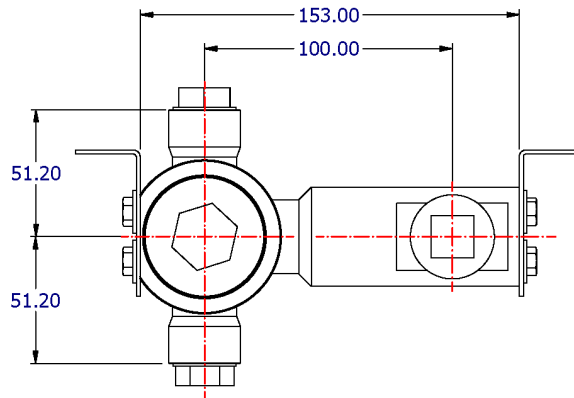
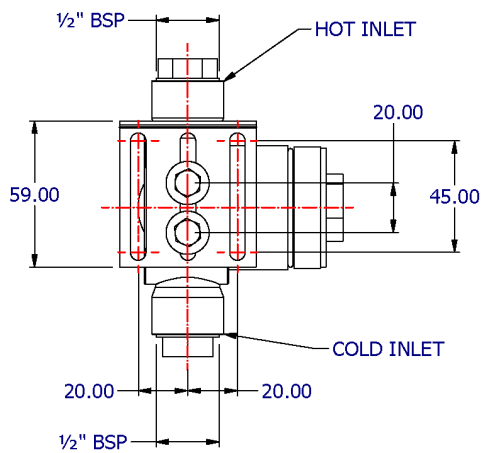
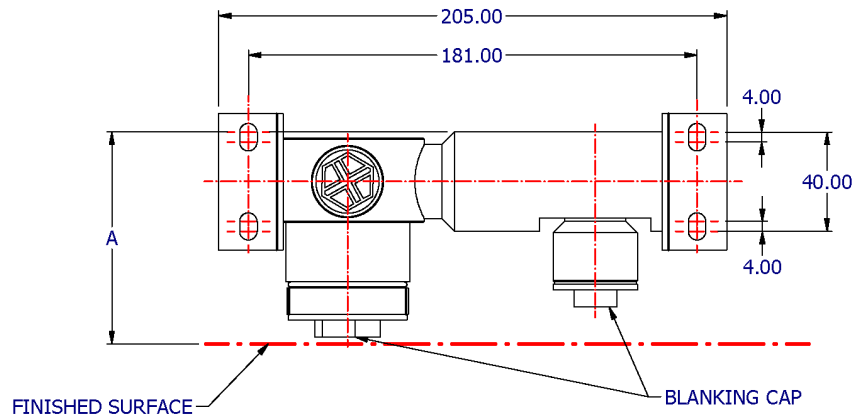
Product Number: V720V2-LH-IS

Description: 2 Hole wall mounted filler rough, left handed



Specification Drawing

TRIM	DIMENSION "A" RANGE
V720V2-T	73.00 TO 84.00
V735V2-T	73.00 TO 84.00



UK Customer Service
 Leopold Street
 Birmingham
 B12 0UJ
 Tel: +44 121 766 4200
 Email: info@samuel-heath.com

US Customer Service
 Federal I.D. No. 58-1504682
 Email: usa@samuel-heath.com

Specification Enquiries
 Design Centre Chelsea Harbour
 1st Floor, North Dome, London
 SW10 0XE
 Tel: 020 7352 0249
 Email: showroom@samuel-heath.com

1-07/10/2024