

SAMUEL HEATH

Product Number: V6B1XX9

Description: 1/2" Concealed thermostatic shower - 2 flow controls



Finishes Available



Chrome Plate



Polished Nickel



Non Lacquered Brass



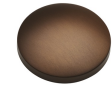
Antique Gold



Stainless Steel Finish



City Bronze



Country Bronze



Brushed Gold Gloss



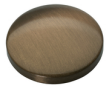
Brushed Gold Matt



Brushed Gold Unlacquered

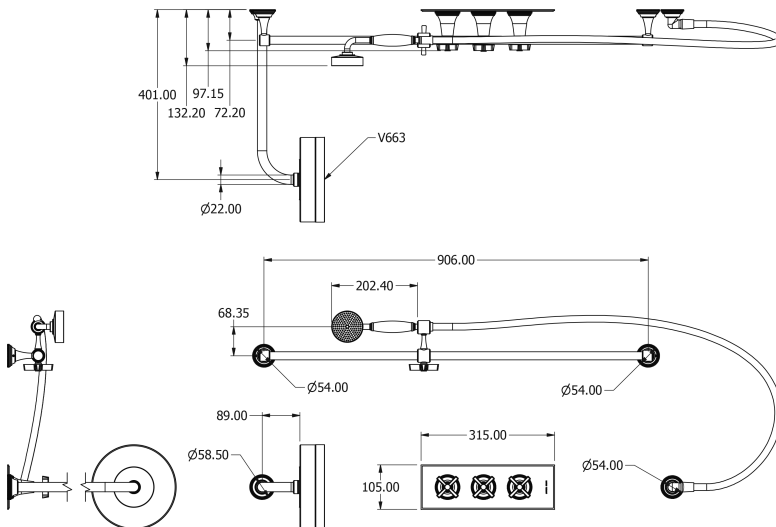


Antique Brass Matt

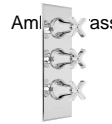


Antique Brass Gloss

Specification Drawing



Kit Components



V602-TX



V654



V662



V663



V664



V670-X



V941

UK Customer Service

Leopold Street
Birmingham
B12 0UJ
Tel: +44 121 766 4200
Email: info@samuel-heath.com

US Customer Service

Federal I.D. No. 58-1504682
Email: usa@samuel-heath.com

Specification Enquiries

Design Centre Chelsea Harbour
1st Floor, North Dome, London
SW10 0XE
Tel: 020 7352 0249
Email: showroom@samuel-heath.com

1-07/10/2024