

SAMUEL HEATH

Product Number: N1498-6

Description: Towel Ring, 6"



Finishes Available



Chrome Plate



Polished Nickel



Stainless Steel Finish



Stainless Steel with Matt Black



City Bronze



Matt Black Chrome



Brushed Gold Unlacquered



Polished Nickel with Gloss Black Chrome



Brushed Gold Matt with City Bronze



Stainless Steel Finish with City Bronze



Antique Gold with Gloss Black Chrome

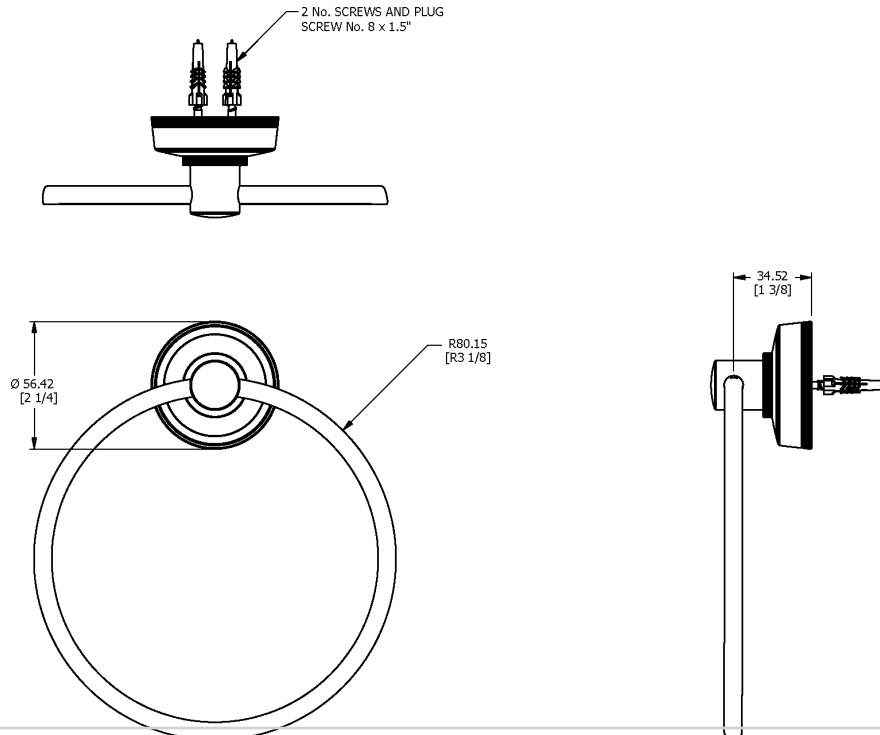


Antique Brass Matt



Anthracite

Specification Drawing



UK Customer Service

Leopold Street
Birmingham
B12 0UJ
Tel: +44 121 766 4200
Email: info@samuel-heath.com

US Customer Service

Federal I.D. No. 58-1504682
Email: usa@samuel-heath.com

Specification Enquiries

Design Centre Chelsea Harbour
1st Floor, North Dome, London
SW10 0XE
Tel: 020 7352 0249
Email: showroom@samuel-heath.com